

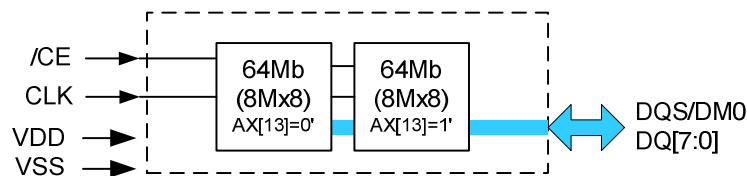
## Double-Data-Rate Octal SPI PSRAM

### Specifications

- **Single Supply Voltage**
  - VDD=1.62 to 1.98V
  - VDDQ=1.62 to 1.98V
- **Interface:** Octal SPI with DDR Xccela mode, two bytes transfers per one clock cycle
- **Performance:** Clock rate up to 200MHz, 400MB/s read/write throughput
- **Organization:** 128Mb, 16M x 8bits with 1024 bytes page size
  - Column address: AY0 to AY9
  - Row address: AX0 to AX13
- **Refresh:** Self-managed
- **Operating Temperature Range**
  - Tc = -40°C to +85°C (standard range)
  - Tc = -40°C to +105°C (extended range)
- **Maximum Standby Current**
  - 600µA @ 105°C
  - 400µA @ 85°C
  - 200µA @ 25°C
  - 60µA @ 25°C (Half Sleep Mode with data retained)

### Features

- **Low Power Features**
  - Partial Array Self-Refresh (PASR)
  - Auto Temperature Compensated Self-Refresh (ATCSR) by built-in temperature sensor
  - User configurable refresh rate
  - Ultra Low Power (ULP) Half Sleep mode with data retained
- **Software Reset**
- **Reset Pin Available**
- **Output Driver LVCMOS** with programmable drive strength
- **Data Mask (DM)** for write data
- **Data Strobe (DQS)** enabled highspeed read operation
- **Register Configurable** write and read initial latencies
- **Write Burst Length**, maximum 1024 bytes, minimum 2 bytes
- **Wrap & Hybrid Burst** in 16/32/64/1K lengths
- **Linear Burst Command**
- **Linear Burst Command**
  - Row Boundary Crossing (RBX) for Read can be enabled via Mode Register
  - RBX Write is NOT supported
  - RA[13] Boundary Crossing is NOT supported between 2 dies



Block Diagram

## Table of Contents

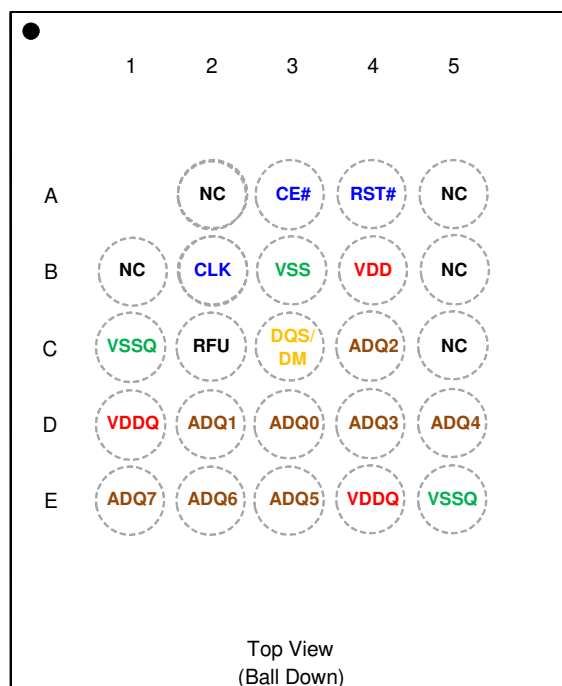
### 1 Table of Contents

1	Table of Contents .....	2
2	Package Information .....	3
3	Package Outline Drawing .....	4
4	Ordering Information .....	5
5	Signal Table .....	6
6	Power-Up Initialization .....	7
6.1	Power-Up Initialization Method 1 (via. RESET# pin).....	7
6.2	Power-Up Initialization (via. Global Reset) .....	8
7	Interface Description .....	9
7.1	Address Space .....	9
7.2	Burst Type & Length.....	9
7.3	Command/Address Latching.....	9
7.4	Command Truth Table .....	9
7.5	Read Operation .....	10
7.6	Write Operation .....	13
7.7	Control Registers.....	14
7.8	Half Sleep Mode.....	20
7.9	Deep Power Down Mode.....	21
8	Electrical Specifications: .....	22
8.1	Absolute Maximum Ratings.....	22
8.2	Pin Capacitance .....	22
8.3	Decoupling Capacitor Requirement.....	23
8.3.1	Low ESR cap C1:.....	23
8.3.2	Large cap C2: .....	23
8.4	Operating Conditions .....	23
8.5	DC Characteristics .....	24
8.6	I <sub>SB</sub> Partial Array Refresh Current.....	25
8.7	AC Characteristics .....	26

## 2 Package Information

The APS12808L-OBMx is available in miniBGA 24L package 6 x 8 x 1.2mm, ball pitch 1.0mm, ball size 0.4mm, package code "BA".

- Ball Assignment for MINIBGA 24L

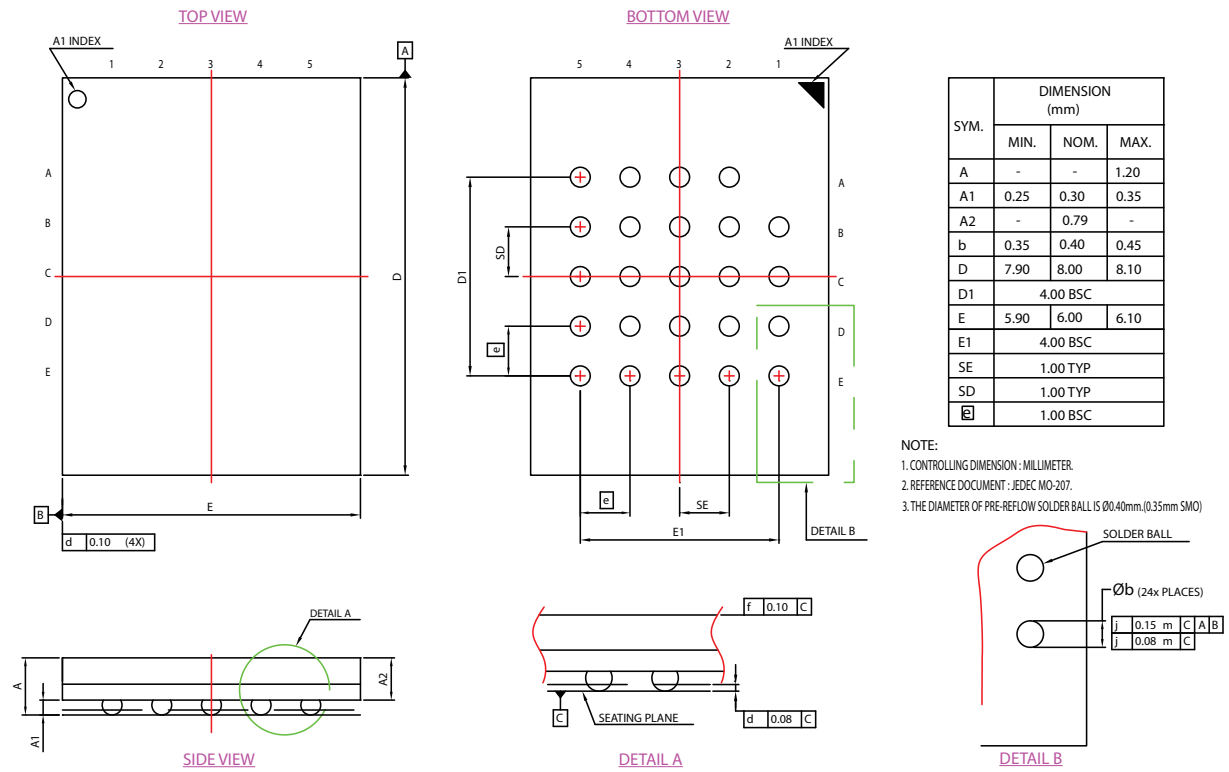


(6x8x1.2mm)(P1.0)(B0.4)

Note:

1. Part Number APS12808L-OBM-BA for 128Mb.
2. RFU: Reserved for Future Use, which is reserved for 2nd CE#.
3. NC: No Connection internally.

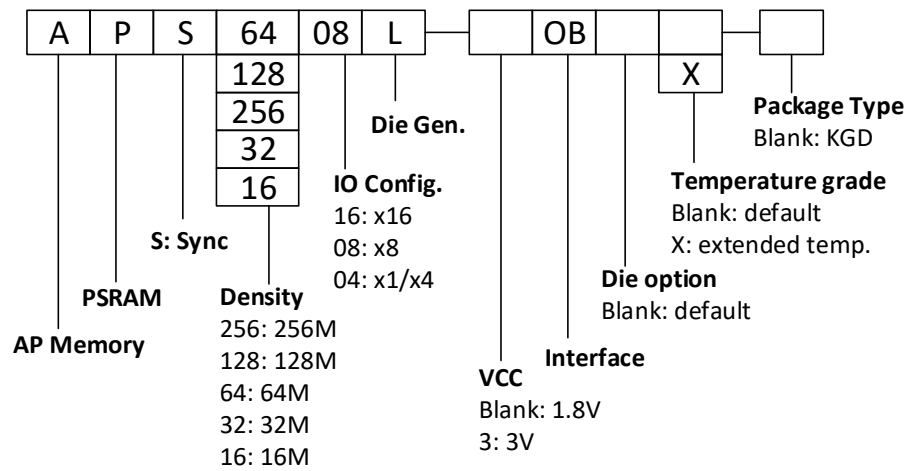
### 3 Package Outline Drawing



## 4 Ordering Information

Table 1: Ordering Information

Part Number	Temperature Range	Max Frequency	Note
APS12808L-OBM-BA	Tc= -40°C to +85°C	200 MHz	Package
APS12808L-OBMX-BA	Tc= -40°C to +105°C	200 MHz	Package



## 5 Signal Table

All signals are listed in Table 2.

**Table 2: Signals Table**

<b>Symbol</b>	<b>Type</b>	<b>Description</b>	<b>Comments</b>
V <sub>DD</sub>	Power	Core supply 1.8V	
V <sub>DDQ</sub>	Power	IO supply 1.8V	
V <sub>SS</sub>	Ground	Core supply ground	
V <sub>SSQ</sub>	Ground	IO supply ground	
A/DQ[7:0]	IO	Address/DQ bus [7:0]	
DQS/DM	IO	DQ strobe clock during reads, Data mask during writes. DM is active high. DM=1 means "do not write".	
CE#	Input	Chip select, active low. When CE#=1, chip is in standby state.	
CLK	Input	Clock signal	
RESET#	Input	Reset signal, active low. Optional, as the pad is internally tied to a weak pull-up and can be left floating.	

## 6 Power-Up Initialization

Octal DDR products include an on-chip voltage sensor used to start the self-initialization process.  $V_{DD}$  and  $V_{DDQ}$  must be applied simultaneously. When they reach a stable level at or above minimum  $V_{DD}$ , the device is in Phase 1 and will require  $150\mu s$  to complete its self-initialization process. The user can then proceed to Phase 2 of the initialization described in this section.

During Phase 1 CE# should remain HIGH (track  $V_{DD}$  within 200mV); CLK should remain LOW.

After Phase 2 is complete the device is ready for operation, however Half Sleep entry and Deep Power Down (DPD) entry are not available until Half Sleep Power Up ( $t_{HSPU}$ ) or DPD Power Up ( $t_{DPDp}$ ) duration is observed.

### 6.1 Power-Up Initialization Method 1 (via. RESET# pin)

The RESET# pin can be used to initialize the device during Phase 2 as follows:

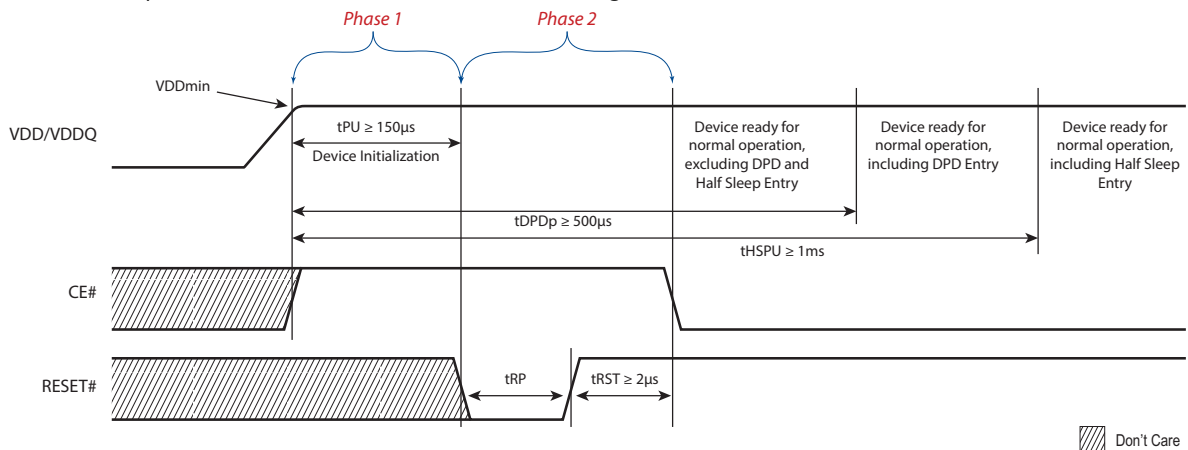


Figure 1. Power-Up Initialization Method 1 RESET#

The RESET# pin can also be used at any time after the device is initialized to reset all register contents. Memory content is not guaranteed. Timing requirements for RESET# usage are shown below.

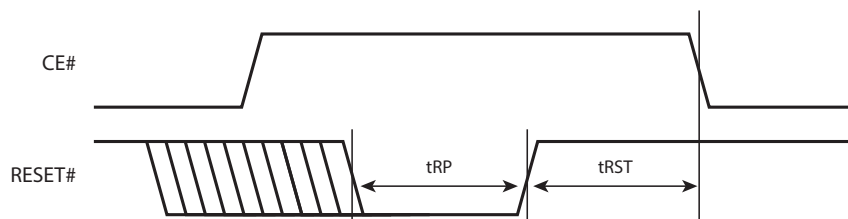


Figure 2. RESET# Timing

## 6.2 Power-Up Initialization (via. Global Reset)

As an alternate power-up initialization method, after the Phase 1 150 $\mu$ s period the Global Reset command can also be used to reset the device in Phase 2 as follows:

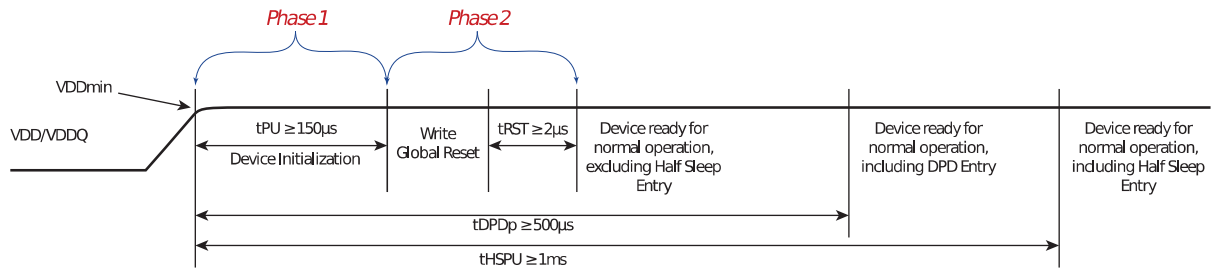


Figure 3. Power-Up Initialization Timing with Global Reset

The Global Reset command resets all register contents. Memory content is not guaranteed. The command frame is made of 4 clocked CE# lows. Clocking is optional during tRST. The Global Reset command sequence is shown below. Note that Global Reset command can be used ONLY as Power-up initialization.

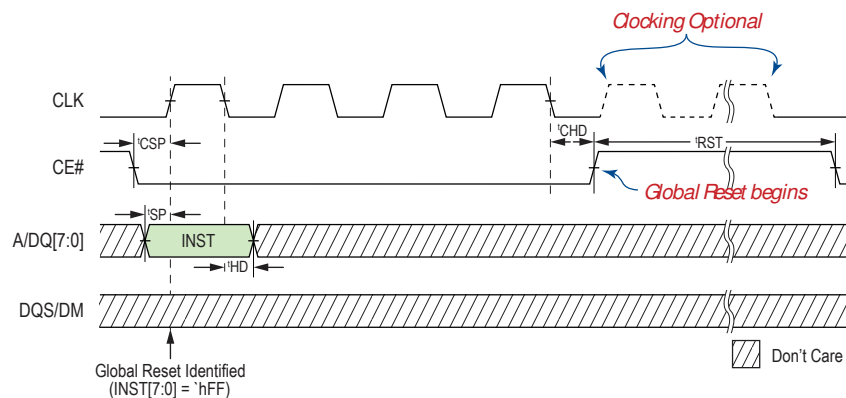


Figure 4: Global Reset



## 7 Interface Description

### 7.1 Address Space

Octal DDR PSRAM device is byte-addressable. Memory accesses are required to start on even addresses (A[0]=0). Mode Register accesses allow both even and odd addresses.

### 7.2 Burst Type & Length



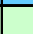
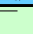
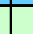

Read and write operations are default Hybrid Wrap 32 mode. Other burst lengths of 16, 32, 64 or 1K bytes in standard or Hybrid wrap modes are register configurable (see Table 20). The device also includes command for Linear Bursting. Bursts can start on any even address. Write burst length has a minimum of 2 bytes. Read has no minimum length. Both write and read have no restriction on maximum burst length as long as tCEM is met.

### 7.3 Command/Address Latching

After CE# goes LOW, instruction code is latched on 1<sup>st</sup> CLK rising edge. Access address is latched on the 3<sup>rd</sup>, 4<sup>th</sup>, 5<sup>th</sup> & 6<sup>th</sup> CLK edges (2<sup>nd</sup> CLK rising edge, 2<sup>nd</sup> CLK falling edge, 3<sup>rd</sup> CLK rising edge, 3<sup>rd</sup> CLK falling edge).

### 7.4 Command Truth Table

The Octal DDR PSRAM recognizes the following commands specified on the INST (Instruction) cycle defined by the Address/DQ pins.

Command	1st CLK		2nd CLK		3rd CLK	
						
Sync Read	00h		A3	A2	A1	A0
Sync Write	80h		A3	A2	A1	A0
Sync Read (Linear Burst)	20h		A3	A2	A1	A0
Sync Write (Linear Burst)	A0h		A3	A2	A1	A0
Mode Register Read	40h		x			MA
Mode Register Write	C0h		x			MA
Global Reset	FFh		x			
Remarks:	x = don't care (V <sub>IH</sub> /V <sub>IL</sub> )					
	A3 = unused address bits are reserved					
	A2 = RA[13:6]					
	A1 = RA[5:0],CA[9:8]					
	A0 = CA[7:0]					
	MA = Mode Register Address					

### 7.5 Read Operation

After address latching, the device initializes DQS/DM to '0 from **next** CLK rising edge of the 3<sup>rd</sup> clock cycle (A1). See Figure 5 below.

Output data is available after LC latency cycles, as shown in Figure 7 & Figure 8, LC is defined in Table 5 and Table 6. When data is valid, A/DQ[7:0] and DQS/DM follow the timing specified in Figure 9. Synchronous timing parameters are shown in Table 30 & Table 31.

In case of internal refresh insertion, variable latency output data may be delayed by up to (LC\*2) latency cycles as shown in Figure 7. True variable refresh pushout latency can be anywhere **between** LC to LCx2. The 1<sup>st</sup> DQS/DM rising edge after read pre-amble indicates the beginning of valid data.

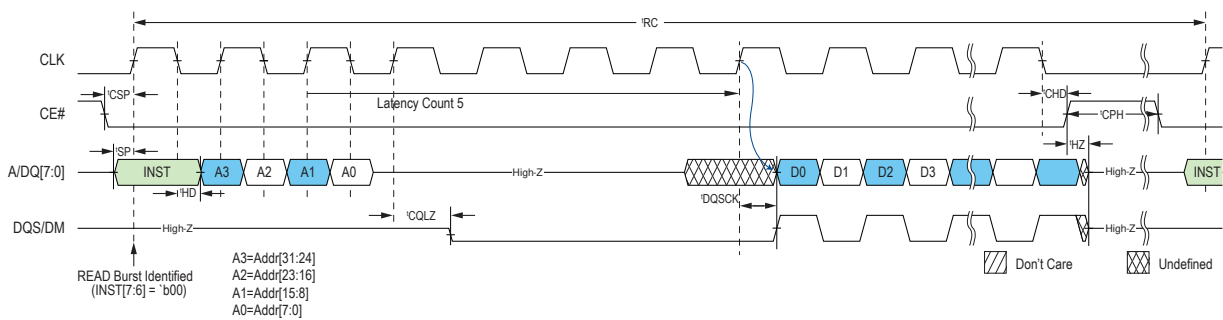


Figure 5: Synchronous Read

If RBX has been enabled (MR8[3] written to 1) and a Linear Burst Command issued, then Wrap settings (MR8[2:0]) are ignored and Read operations are allowed to cross row boundaries as shown in Figure 6.

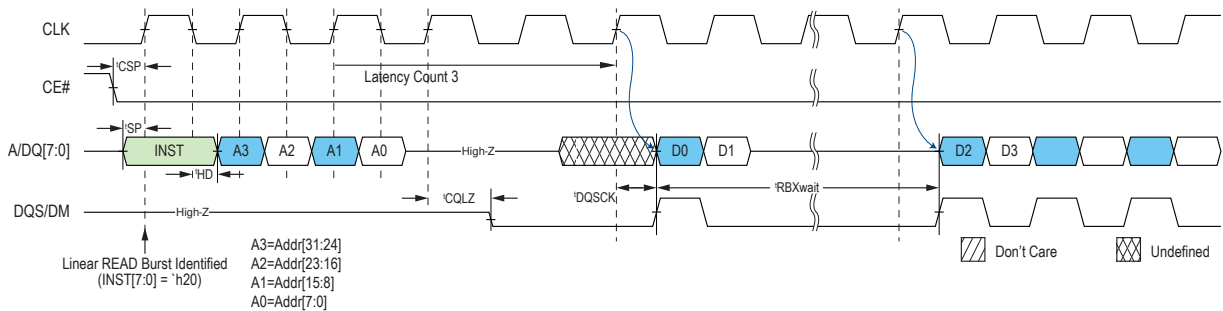
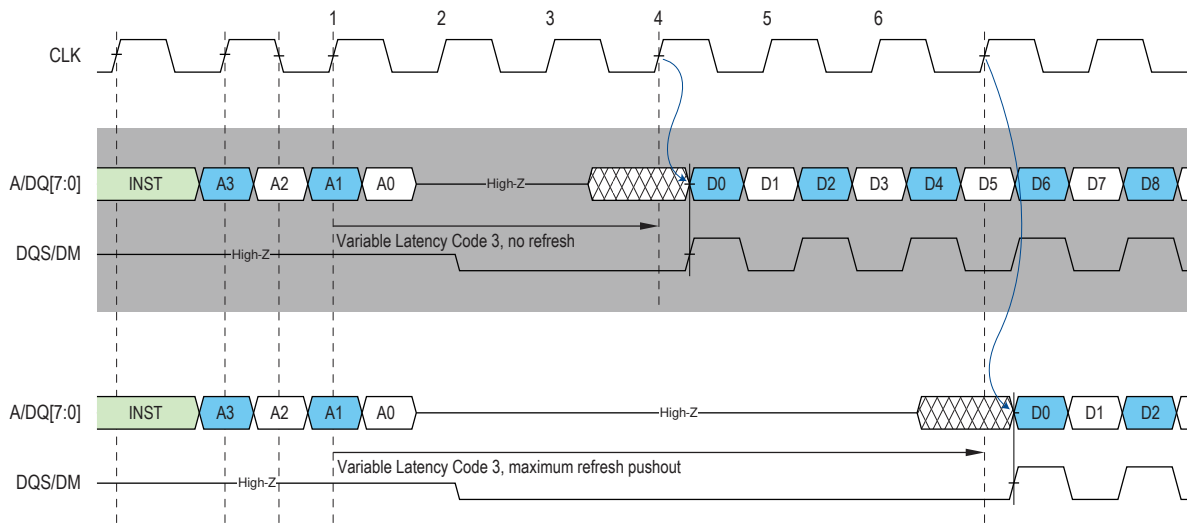
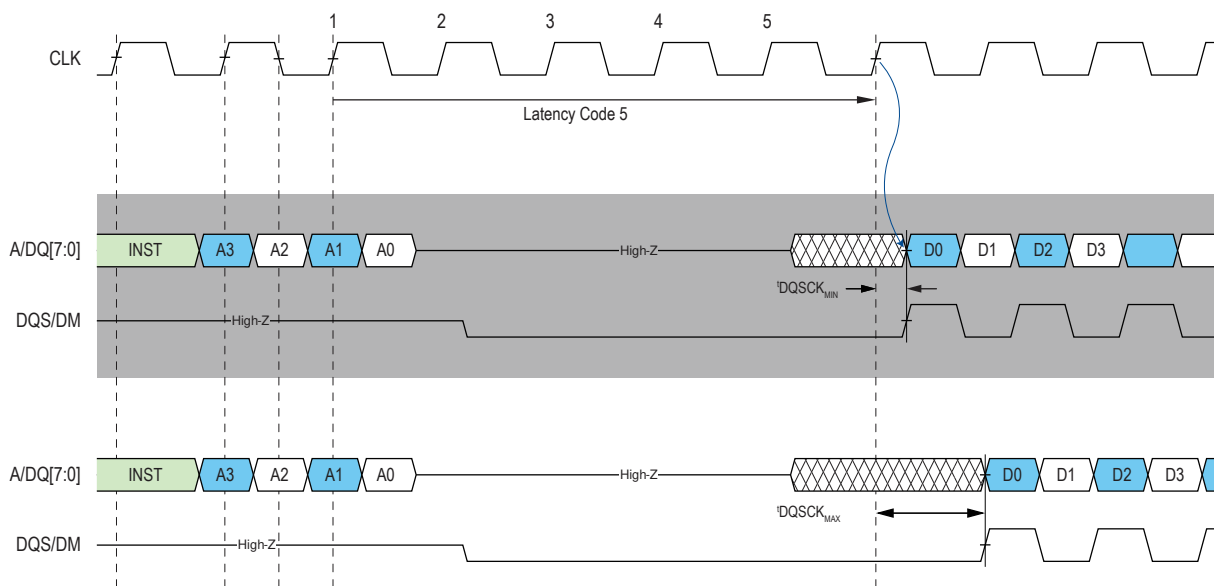


Figure 6: Synchronous Read with RBX (Starting address '3FE)



**Figure 7: Variable Read Latency Refresh Pushout**



**Figure 8: Read Latency & tDQSK**

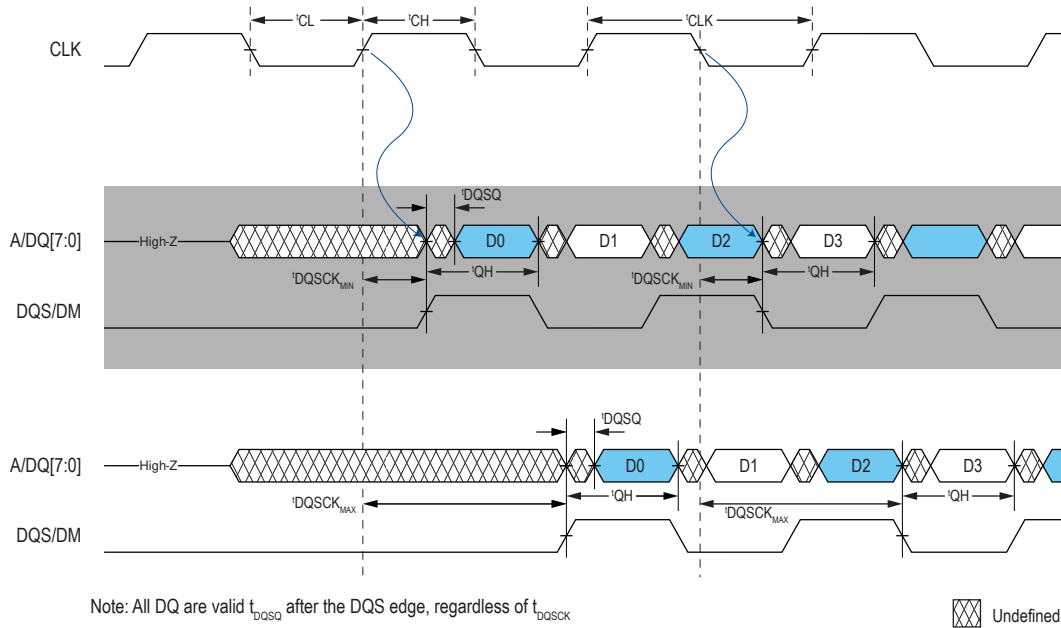


Figure 9: Read DQS/DM & DQ timing

### 7.6 Write Operation

A minimum of 2 bytes of data must be input in a write operation. In the case of consecutive short burst writes, tRC must be met by issuing additional CE# high time between operations. Single-byte write operations can be performed by masking the un-written byte with DQS/DM as shown in Figure 10.

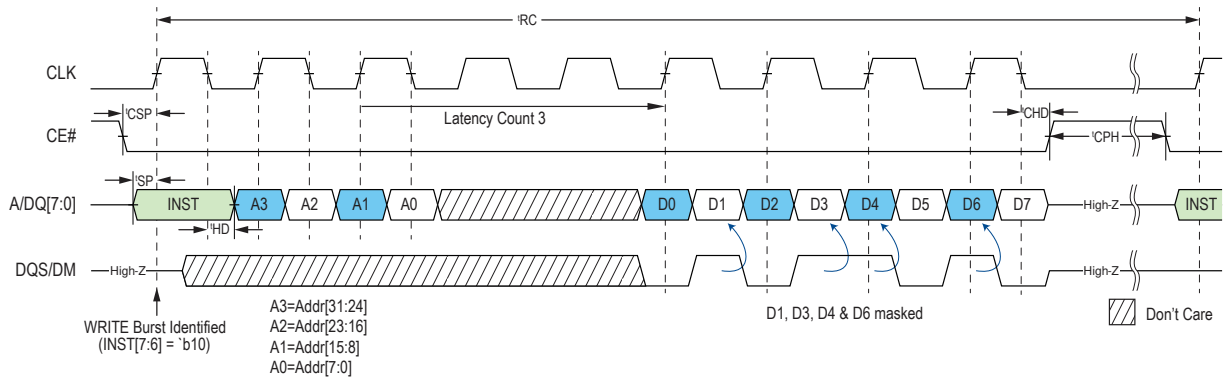


Figure 10: Synchronous Write followed by any Operation

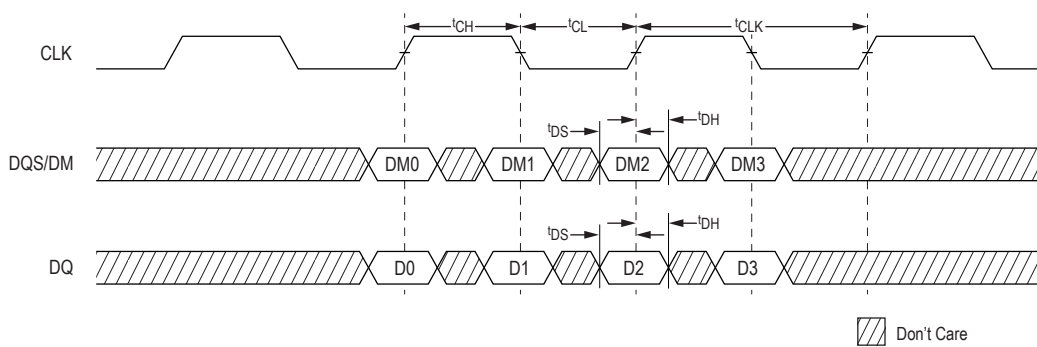


Figure 11: Write DQS/DM & DQ Timing

## 7.7 Control Registers

Register Read is shown below. Mode Address in command determines which Mode Register is read from as Data0 (see chart in the Figure below).

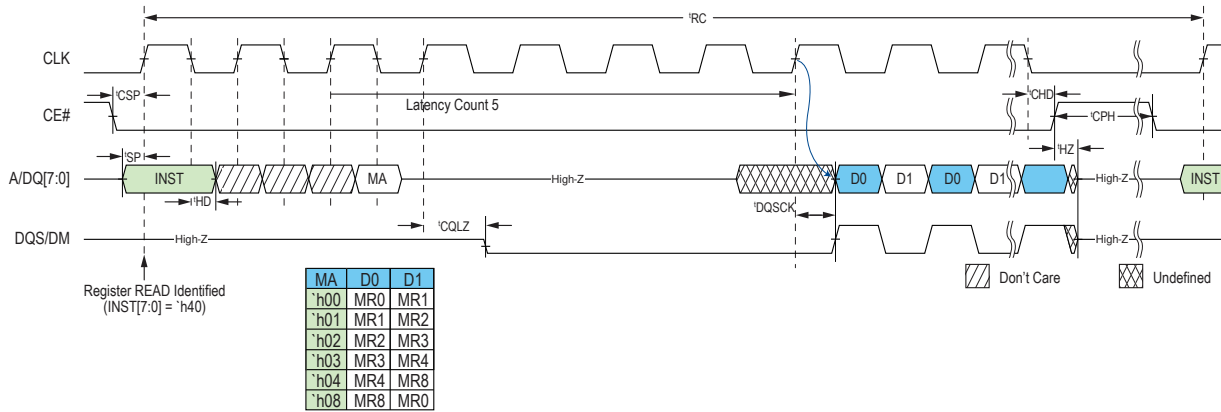


Figure 12: Register Read

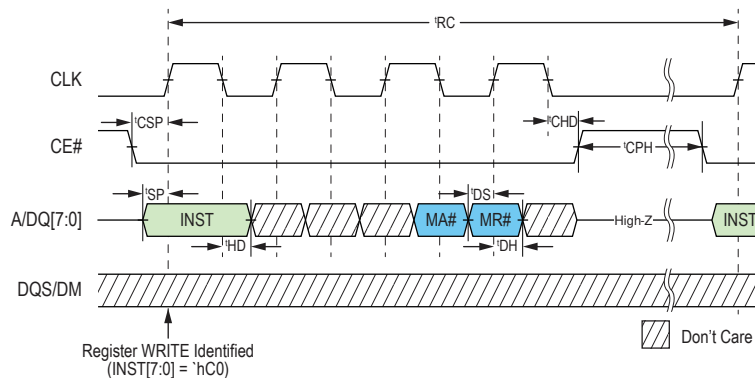


Figure 13: Register Write

Register Writes are Latency 1, whereas Register Reads use the same MR0[5:2] settings as burst reads in Table 5 without push out regardless of variable or fixed defined by MR0[5]. Registers 0, 4 and 8 are read and writable. Registers 1, 2 and 3 are read-only. Register 6 is write-only. Register mapping is shown in Table 3. Note that MR0[6], MR0[7], MR4[4] and MR8[7] must be written to b'0.

**Table 3: Mode Register Table**

MR No.	MA[7:0]	Access	OP7	OP6	OP5	OP4	OP3	OP2	OP1	OP0	
0	`h00	R/W	'00'		LT	Read Latency Code			Drive Str.		
1	`h01	R	ULP	rsvd.		Vendor ID					
2	`h02	R	GB	rsvd.		Dev ID		Density			
3	`h03	R	RBXen	VCC	SRF	rsvd.					
4	`h04	R/W	Write Latency Code			'0'	RF	PASR			
6	`h06	W	Half Sleep & DPD				rsvd.				
8	`h08	R/W	'0'	rsvd.			RBX	BT	BL		

**Table 4: Read Latency Type (MR0[5])**

Latency Type	
MR0[5]	LT
0	Variable (default)
1	Fixed

**Table 5: Read Latency Codes MR0[5:2]**

MR0[4:2]	VL Codes (MR0[5]=0)		FL Codes (MR0[5]=1)	Max Input CLK Freq (MHz)	
	Latency (LC)	Max push out (LCx2)	Latency (LCx2)	Standard	Extended
000	3	6	6	66	66
001	4	8	8	109	109
010	5 (default)	10	10	133	133
011	6	12	12	166	166
100	7	14	14	200	200
others	reserved			-	-

**Table 6: Operation Latency Code Table**

Type	Operation	VL (default)		FL
		No Refresh	Refresh	
Memory	Read	LC	Up to LCx2	LCx2
	Write	WLC		WLC
Register	Read	LC		LC
	Write	1		1

\*Note: see Table 16 for WLC settings.

**Table 7: Drive Strength Codes MR0[1:0]**

<b>Codes</b>	<b>Drive Strength</b>
'00	Full (25Ω)
'01	Half (50Ω default)
'10	1/4 (100Ω)
'11	1/8 (200Ω)

**Table 8: Ultra Low Power Device mapping MR1[7]**

<b>ULP</b>	
'0	Non-ULP (no Half Sleep)
'1	ULP (Half Sleep supported)

**Table 9: Vendor ID mapping MR1[4:0]**

<b>Vendor ID</b>
01101: APM

**Table 10: Good-Die Bit MR2[7]\***

<b>Codes</b>	<b>Good Die ID</b>
'1	PASS
'0	FAIL

\*Note: Default is FAIL die, and only mark PASS after all tests passed.

**Table 11: Device ID MR2[4:3]**

<b>Codes</b>	<b>Device ID</b>
'00	Generation 1
'01	Generation 2
'10	Generation 3 (default)
others	reserved

**Table 12: Device Density mapping MR2[2:0]**

<b>MR2[2:0]</b>	<b>Density</b>
'001	32Mb
'011	64Mb
'101	128Mb
'111	256Mb
others	reserved



**Table 13: Row Boundary Crossing Enable (MR3[7])**

<b>MR3[7] (read-only)</b>	<b>RBXen</b>
0	RBX not supported
1	RBX supported via MR8[3]=1

**Table 14: Operating Voltage Range (MR3[6])**

<b>MR3[6]</b>	<b>VCC</b>
0	1.8V (default)
1	3V

**Table 15: Self Refresh Flag (MR3[5])**

<b>MR3[5] (read-only)</b>	<b>Self Refresh Flag</b>
0	Slow Refresh (allowed via MR4[3]=1, otherwise Fast Refresh)
1	Fast Refresh

MR3[5] is a refresh indicator that corresponds to device internal temperature. This bit will indicate 0 when the temperature is low enough to allow a slow frequency refresh rate.

**Table 16: Write Latency MR4[7:5]**

Default powered up behavior is WL 5

<b>MR4[7:5]</b>	<b>Write Latency</b>	<b>Fmax (MHz)</b>
000	3	66
100	4	109
010	5 (default)	133
110	6	166
001	7	200

**Table 17: Refresh Frequency MR4[3]**

<b>MR4[3]</b>	<b>Refresh Frequency</b>
0	Fast (default)
1	Enables Slow Refresh if temperature allows

**Table 18: PASR MR4[2:0]**

The PASR bits restrict refresh operation to a portion of the total memory array. This feature allows the device to reduce standby current by refreshing only that part of the memory array required by the host system. The refresh options are full array, one-half array, one-quarter array, one-eighth array, or none of the array. The mapping of these partitions can start at either the beginning or the end of the address map.

<b>128Mb (64Mbx2)</b>				
<b>Codes</b>	<b>Refresh Coverage</b>	<b>Address Space</b>	<b>Size</b>	<b>Density</b>
'000	Full array (default)	000000h-FFFFFFh	16M x8	128Mb
'001	Bottom 1/2 array	000000h-7FFFFFFh	8M x8	64Mb
'010	Bottom 1/4 array	000000h-3FFFFFFh	4M x8	32Mb
'011	Bottom 1/8 array	000000h-1FFFFFFh	2M x8	16Mb
'100	None	0	0M	0Mb
'101	Top 1/2 array	800000h-FFFFFFh	8M x8	64Mb
'110	Top 1/4 array	C00000h-FFFFFFh	4M x8	32Mb
'111	Top 1/8 array	E00000h-FFFFFFh	2M x8	16Mb

**Table 19: ULP Modes MR6[7:0]**

MR6[7:0]	ULP Modes
'hF0	Half Sleep
'hC0	Deep Power Down
others	reserved

Note: see 7.8 Half Sleep Mode; 7.9 Deep Power Down Mode for more information.

**Table 20: Burst Type MR8[2], Burst Length MR8[1:0]**

By default the device powers up in 32 Byte Hybrid Wrap. In non-Hybrid burst (MR8[2]=0), MR8[1:0] sets the burst address space in which the device will continually wrap within. If Hybrid Burst Wrap is selected (MR8[2]=1), the device will burst through the initial wrapped Burst Length once, then continue to burst incrementally up to maximum column address (1K) before wrapping around within the entire column address space. Burst Length (MR8[1:0]) can be set to 16,32,64 & 1K Lengths.

MR8[2]	MR8[1:0]	Burst Length	Example of Sequence of Bytes During Wrap	
			Starting Address	Byte Sequence
'0	'00	Wrap 16	4	[4,5,6,...15,0,1,2,...]
'0	'01	Wrap 32	4	[4,5,6,...31,0,1,2,...]
'0	'10	Wrap 64	4	[4,5,6,...63,0,1,2,...]
'0	'11	Wrap 1K	4	[4,5,6,...1023,0,1,2,...]
'1	'00	Hybrid 16	2	[2,3,4,...15,0,1],16,17,18,...1023,0,1,...
'1	'01	Hybrid 32 (default)	2	[2,3,4,...31,0,1],32,33,34,...1023,0,1,...
'1	'10	Hybrid 64	2	[2,3,4,...63,0,1],64,65,66,...1023,0,1,...
'1	'11	Wrap 1K	2	[2,3,4,...1023,0,1,2,...]

The Linear Burst Commands (INST[5:0]=6'b100000) override MR8[2:0] settings and forces the current array read or write command to do 1K Byte Wrap (equivalent to having MR8[1:0] set to 2'b11). The burst continues linearly from the starting address and at the end of the page, then wraps back to the beginning of the page. This special burst instruction can be used on both array write and read.

**Table 21: Row Boundary Crossing Read Enable MR8[3]**

This register setting applies to Linear Burst reads only on RBX enabled devices (MR3[7]=1). Default write and read burst behavior is limited within the 1K (CA='h000 -> 'h3FF) column address space. Setting this bit high will allow Linear Burst reads to cross over into the next Row (RA+1).

MR8[3]	RBX Read
0	Reads stay within the 1K column address space
1	Reads cross row at 1K boundaries

## 7.8 Half Sleep Mode

Half Sleep Mode is a feature which puts the device in an ultra-low power state, while the stored data is retained. Half Sleep Mode Entry is entered by writing 8'hF0 into MR6. CE# going high initiates the Half Sleep mode and must be maintained for the minimum duration of t<sub>HS</sub>. The Half Sleep Entry command sequence is shown below.

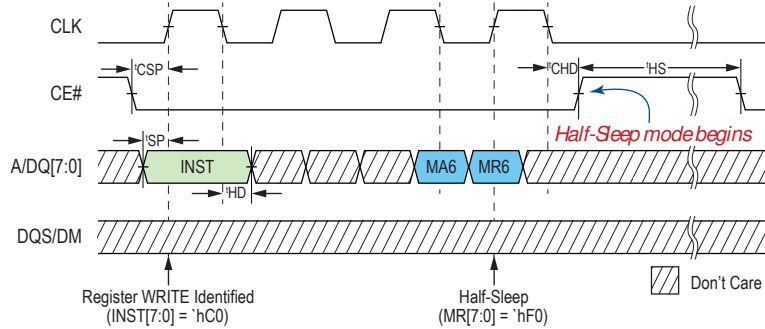


Figure 14: Half Sleep Entry Write (default WL0)

Half Sleep Exit is initiated by a low pulsed CE#. Afterwards, CE# can be held high with or without clock toggling until the first operation begins (observing minimum t<sub>XHS</sub>).

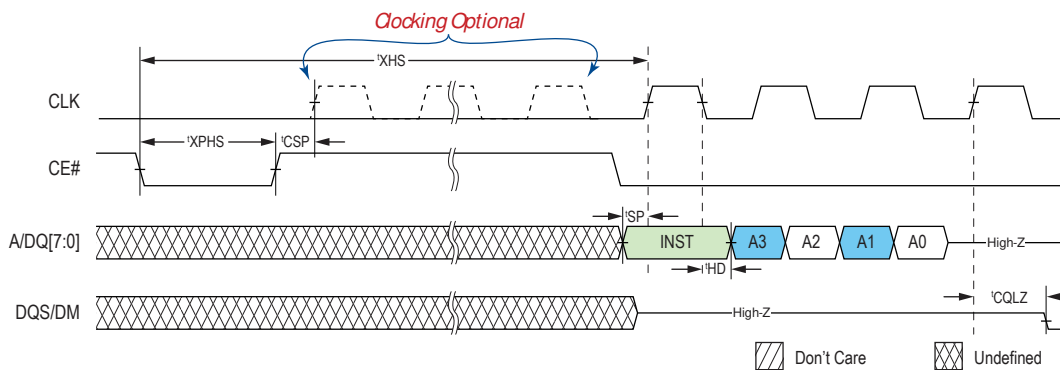


Figure 15: Half Sleep Exit (Read Operation shown as example)

## 7.9 Deep Power Down Mode

Deep Power Down Mode (DPD) is a feature which puts the device into power down state. DPD Mode Entry is entered by writing 8'hC0 into MR6. CE# going high initiates the DPD Mode and must be maintained for the minimum duration of tDPD. The Deep Power Down Entry command sequence is shown below.

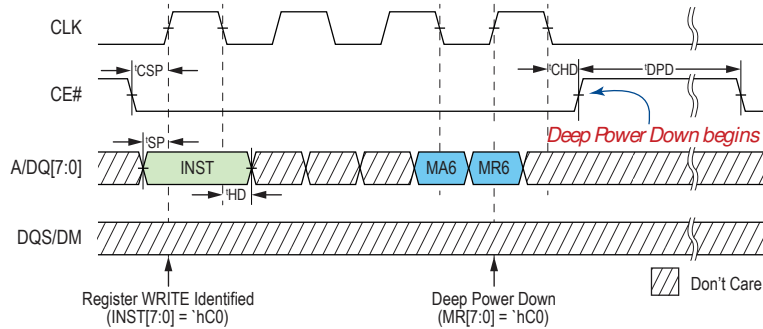


Figure 16: Deep Power Down Entry

Deep Power Down Exit is initiated by a low pulsed CE#. After a CE# DPD Exit, CE# must be held high with or without clock toggling until the first operation begins (observing minimum tXDPD).

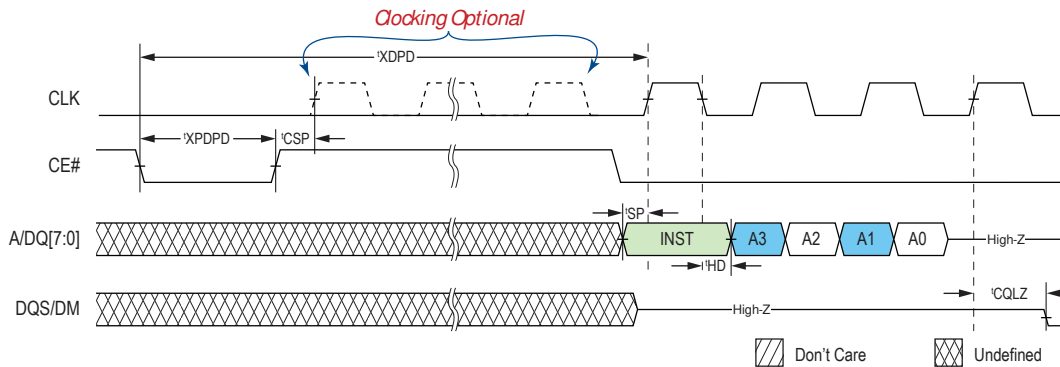


Figure 17: Deep Power Down Exit (Read Operation shown as example)

Register values and memory content are not retained in DPD Mode. After DPD mode register values will reset to defaults. tDPDp is minimum period between two DPD Modes (measured from DPD exit to the next DPD entry) as well as from the initial powerup to the first DPD entry.

## 8 Electrical Specifications:

### 8.1 Absolute Maximum Ratings

Table 22: Absolute Maximum Ratings

Parameter	Symbol	Rating	Unit	Notes
Voltage to any ball except $V_{DD}$ , $V_{DDQ}$ relative to $V_{SS}$	VT	-0.4 to $V_{DD}/V_{DDQ}+0.4$	V	
Voltage on $V_{DD}$ supply relative to $V_{SS}$	$V_{DD}$	-0.4 to +2.45	V	
Voltage on $V_{DDQ}$ supply relative to $V_{SS}$	$V_{DDQ}$	-0.4 to +2.45	V	
Storage Temperature	$T_{STG}$	-55 to +150	°C	1

Notes 1: Storage temperature refers to the case surface temperature on the center/top side of the PSRAM.

Caution:

Exposing the device to stress above those listed in Absolute Maximum Ratings could cause permanent damage. The device is not meant to be operated under conditions outside the limits described in the operational section of this specification. Exposure to Absolute Maximum Rating conditions for extended periods may affect device reliability.

### 8.2 Pin Capacitance

Table 23: Bare Die Pin Capacitance

Parameter	Symbol	Min	Max	Unit	Notes
Input Pin Capacitance	CIN		4	pF	VIN=0V
Output Pin Capacitance	COUT		6	pF	VOUT=0V

Note 1: spec'd at 25°C.

Table 24: Package Pin Capacitance

Parameter	Symbol	Min	Max	Unit	Notes
Input Pin Capacitance	CIN		8	pF	VIN=0V
Output Pin Capacitance	COUT		10	pF	VOUT=0V

Note 1: spec'd at 25°C.

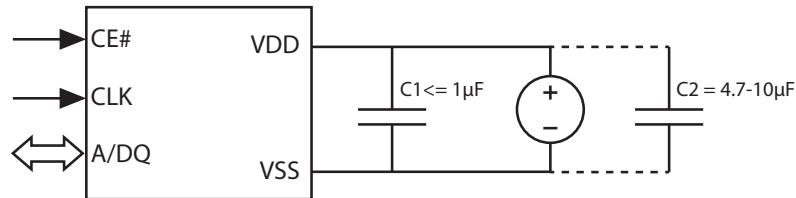
Table 25: Load Capacitance

Parameter	Symbol	Min	Max	Unit	Notes
Load Capacitance	$C_L$		15	pF	

Note 1: System  $C_L$  for the use of package

### 8.3 Decoupling Capacitor Requirement

System designers need to take care of power integrity considering voltage regulator response and the memory peak currents/usage modes.



#### 8.3.1 Low ESR cap C1:

It is recommended to place a low ESR decoupling capacitor of  $\leq 1\mu\text{F}$  close to the device to absorb transient peaks.

#### 8.3.2 Large cap C2:

During Half-sleep modes even though half-sleep average currents are very small (less than  $100\mu\text{A}$ ), device will internally have low duty cycle burst refresh for an extended period of time of a few tens of microseconds. These refresh current peaks are large. During this period if the system regulator cannot supply large peaks for several microseconds, it is important to place a  $4.7\mu\text{F}$ - $10\mu\text{F}$  cap to take care of burst refresh currents and replenish the charge before next burst of refreshes.

If required please contact AP Memory for further current peak details.

### 8.4 Operating Conditions

Table 26: Operating Characteristics

Parameter	Min	Max	Unit	Notes
Operating Temperature (extended)	-40	105	°C	1
Operating Temperature (standard)	-40	85	°C	

Note 1: Extended temp range of -40 to 105°C is only characterized; Standard test condition is -32 to 105°C.

## 8.5 DC Characteristics

Table 27: DC Characteristics

Symbol	Parameter	Min	Max	Unit	Notes
V <sub>DD</sub>	Supply Voltage	1.62	1.98	V	
V <sub>DDQ</sub>	I/O Supply Voltage	1.62	1.98	V	
V <sub>IH</sub>	Input high voltage	V <sub>DDQ</sub> -0.4	V <sub>DDQ</sub> +0.2	V	
V <sub>IL</sub>	Input low voltage	-0.2	0.4	V	
V <sub>OH</sub>	Output high voltage (I <sub>OH</sub> =-0.2mA)	0.8 V <sub>DDQ</sub>		V	
V <sub>OL</sub>	Output low voltage (I <sub>OL</sub> =+0.2mA)		0.2 V <sub>DDQ</sub>	V	
I <sub>LI</sub>	Input leakage current		1	μA	
I <sub>LO</sub>	Output leakage current		1	μA	
ICC	Read/Write @13MHz		4	mA	2
	Read/Write @133MHz		16	mA	2
	Read/Write @166MHz		19	mA	2
	Read/Write @200MHz		22	mA	2
ISB <sub>EXT</sub>	Standby current (extended temp)		600	μA	1,3
ISB <sub>STD</sub>	Standby current (standard temp)		400	μA	3
ISB <sub>STDroom</sub>	Standby current (room temp)		200	μA	1,3,5
ISB <sub>STDHS</sub>	Standby current (half sleep 25°C)		60	μA	3,4,6,7
ISB <sub>STDDPD</sub>	Standby current (Deep Power Down -40°C to +85°C)		30	uA	8

Note 1: Spec'd up to 105°C.

Note 2: Current is only characterized.

Note 3: Without CLK toggling. ISB will be higher if CLK is toggling.

Note 4: Slow Refresh.

Note 5: **Typical ISB<sub>STDROOM</sub> 132uA.**

Note 6: Current is only guaranteed after 150ms into Half Sleep mode.

Note 7: **Typical ISB<sub>STDHS</sub> 40uA**

Note 8: **Typical mean ISB<sub>STDDPD</sub> 14uA at 25°C**



## 8.6 ISB Partial Array Refresh Current

Table 28: Typical PASR Current @ 25°C

<b>Standby Current @ 25°C</b>			
<b>PASR</b>	<b>ISB –typical mean</b>	<b>Unit</b>	<b>Notes</b>
Full	132	μA	1,2
1/2	130	μA	1,2
1/4	128	μA	1,2
1/8	120	μA	1,2
<b>Half Sleep Current @ 25°C</b>			
<b>PASR</b>	<b>I Half Sleep-typical mean</b>	<b>Unit</b>	<b>Notes</b>
Full	40	μA	1,2,3
1/2	28	μA	1,2,3
1/4	22	μA	1,2,3
1/8	20	μA	1,2,3

Table 29: Typical PASR Current @ 85°C

<b>Standby Current @ 85°C</b>			
<b>PASR</b>	<b>ISB –typical mean</b>	<b>Unit</b>	<b>Notes</b>
Full	380	μA	2
1/2	300	μA	2
1/4	250	μA	2
1/8	220	μA	2
<b>Half Sleep Current @ 85°C</b>			
<b>PASR</b>	<b>I Half Sleep-typical mean</b>	<b>Unit</b>	<b>Notes</b>
Full	240	μA	2,3
1/2	144	μA	2,3
1/4	96	μA	2,3
1/8	48	μA	2,3

- Note 1: Slow Refresh current is only attainable by enabling Slow Refresh Frequency (see Table 17)
- Note 2: PASR Current is only characterized based on 128M density without CLK toggling.
- Note 3: Spec'd Half Sleep current is only guaranteed after 150ms into Half Sleep mode.

## 8.7 AC Characteristics

Table 30: READ/WRITE Timing

Symbol	Parameter	BGA 1.8V Only						Unit	Notes
		-7(133Mhz)		-6(166MHz)		-5(200MHz)			
		Min	Max	Min	Max	Min	Max		
tCLK	CLK period	7.5		6		5		ns	
tCH/tCL	Clock high/low width	0.45	0.55	0.45	0.55	0.45	0.55	tCLK	
tKHL	CLK rise or fall time		1.2		1		0.8	ns	
tCPH	CE# HIGH between subsequent burst operations	15		18		20		ns	
tCEM	CE# low pulse width (excluding Half Sleep exit)		4		4		4	μs	Standard temp
			1		1		1	μs	Extended temp
tCEM	CE# low pulse width	3		3		3		tCLK	Minimum 3 clocks
tCSP	CE# setup time to CLK rising edge	2		2		2		ns	
tCHD	CE# hold time from CLK falling edge	2		2		2		ns	
tSP	Setup time to active CLK edge	0.8		0.8		0.8		ns	
tHD	Hold time from active CLK edge	0.8		0.8		0.8		ns	
tHZ	Chip disable to DQ/DQS output high-Z		6		6		6	ns	
tRBXwait	Row Boundary Crossing Wait Time	30	65	30	65	30	65	ns	
tRC	Write Cycle	60		60		60		ns	
tRC	Read Cycle	60		60		60		ns	
tHS	Minimum Half Sleep duration	4		4		4		μs	
tXHS	Half Sleep Exit CE# low to CLK setup time	150		150		150		μs	
tXPHS	Half Sleep Exit CE# low pulsewidth	60		60		60		ns	
			4		4		4	μs	Standard temp
			1		1		1	μs	Extended temp
tDPD	Minimum DPD duration	500		500		500		μs	
tDPDp	Minimum period between DPD Modes	500		500		500		μs	
tXDPD	DPD CE# low to CLK setup time	150		150		150		μs	
tXPDPD	DPD Exit CE# low pulsewidth	60		60		60		ns	
tPU	Device Initialization	150		150		150		μs	
tRP	RESET# low pulse width	1		1		1		μs	
tRST	Reset to CMD valid	2		2		2		μs	

**Table 31: DDR timing parameters**

		BGA 1.8V Only							
		-7(133MHz)		-6(166MHz)		-5(200MHz)			
Symbol	Parameter	Min	Max	Min	Max	Min	Max	Unit	Notes
tCQLZ	Clock rising edge to DQS low	1	6	1	6	1	6	ns	
tDQSCK	DQS output access time from CLK	2	5.5	2	5.5	2	5.5	ns	
tDQSQ	DQS – DQ skew		0.6		0.5		0.4	ns	
tDS	DQ and DM input setup time	0.8		0.8		0.8		ns	
tDH	DQ and DM input hold time	0.8		0.8		0.8		ns	
tHP	Half Period	= min (tCH, tCL)						ns	
tQHS	Datahold skew factor		0.75		0.6		0.5	ns	
tQH	DQ output hold time from DQS	= tHP - tQHS						ns	

## 9 Change Log

Version	Date	Description
1.0	Jul 21, 2017	Initial version
1.1	Aug 6, 2017	Added package outline and pin cap table; corrected tCQLZ reference edge; corrected tCHD reference edge in table; added don't care data to Register Write drawing
1.2	Sep 29, 2017	Added note for latency count of register read, updated WLCSP(1CS), multi-die configuration and Deep Power Down
1.3	Oct 04, 2017	Added spec of ISB <sub>DPD</sub> and note of typical ISB <sub>DPD</sub>
1.4	Oct 04, 2017	Added spec of DPD timing
1.5	Oct 13, 2017	Added DPD code in table 19
1.6	Feb 14, 2018	Updated marking of WLCSP
1.7	Apr 13, 2018	Removed Hybrid64, RBX, tRBXwait
1.8	Apr 26, 2018	Added note for special part of OBM
1.9	Apr 27, 2018	Revised signal table, minimum burst write and configuration of 64Mb*2; removed Reset#, corrected typo
2.0	May 31, 2018	Revised 64Mb addressing to 128Mb and addressing with 2CE#
2.1	Oct 24, 2018	Revised ball map; extended part number
2.2	Dec 11, 2018	Removed note for OBM
2.3	Dec 20, 2018	Corrected MSB typo in commend truth table
2.4	Jan 09, 2019	Updated PASR address mapping, Tj to -40C
2.41	Jan 09, 2019	Add BGA 24 ball; updated Block diagram, Tc to -40C and Pin Cap
2.5	Aug 09, 2019	Noted in Section2; revised Section 6; modified section 7.4 table; Noted for Table 3, 6 11, 24 and 26, noted 128M in Table 28 and 29 Added RBX function, like Table 3, Table 21 and Figure 5.1 Added RBX notes in Page 1 and section2, added notes for Table 3, 21, and Figure 5.1
2.6	Aug 15, 2019	Added ISB <sub>STDroom</sub> ; revised ISB <sub>STDHS</sub> ; revised Table15; revised section 8.6 and tXHS spec; noted in Table 20; Added section 8.3
2.7	Sep 27, 2019	Updated header and page 1; updated ICC in Table 27; updated Table 28 and Table 29
2.8	Oct 30, 2019	Updated notes for Table 15, Table 20 and section 7.5
2.9	Nov 14, 2019	Updated notes in section 7.5, Table 16, Table 18 and Table 30